

Nominal Size W x H x D (in)	Actual Size W x H x D (in)	Part Number	Capacity (CFM)	Resistance (in W.G.)	Media Area (sq ft)	Carton Qty	Weight per Carton (lbs)
12 x 24 x 2	11-3/8 x 23-3/8 x 1-3/4	102-500-112	1000	0.28	7.8	12	12
16 x 20 x 2	15-1/2 x 19-1/2 x 1-3/4	102-500-116	1115	0.28	8.8	12	14
16 x 25 x 2	15-1/2 x 24-1/2 x 1-3/4	102-500-117	1400	0.28	11.0	12	15
18 x 24 x 2	17-1/2 x 23-1/2 x 1-3/4	102-500-118	1500	0.28	12.3	12	17
20 x 20 x 2	19-1/2 x 19-1/2 x 1-3/4	102-500-119	1400	0.28	11.1	12	15
20 x 24 x 2	19-1/2 x 23-1/2 x 1-3/4	102-500-120	1675	0.28	13.4	12	17
20 x 25 x 2	19-1/2 x 24-1/2 x 1-3/4	102-500-121	1740	0.28	14.0	12	18
24 x 24 x 2	23-3/8 x 23-3/8 x 1-3/4	102-500-122	2000	0.28	16.2	12	19

Standard Construction:

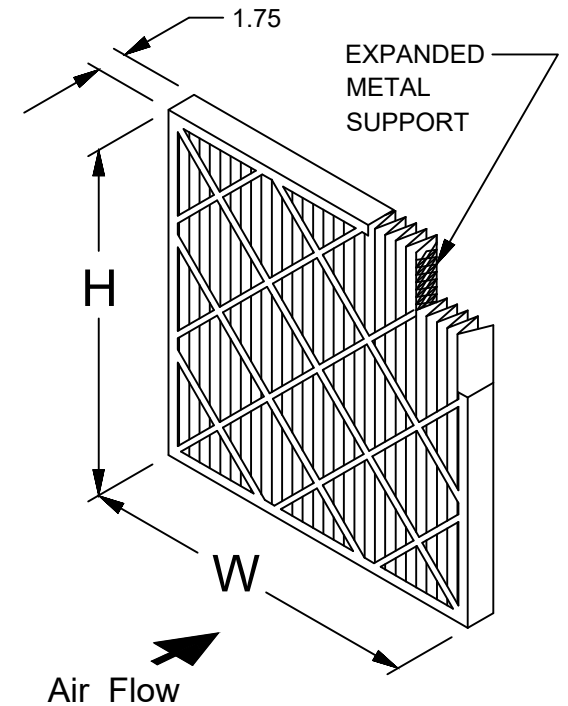
1. 100% Synthetic Media
2. Heavy-Duty Rust Resistant Expanded Metal Support on Downstream Side
3. Moisture Resistant Beverage Board Frame (24 point)
4. Double Wall Frame
5. 15 Pleats per Linear Ft.

Specifications:

1. Efficiency: MERV 11 (ASHRAE Standard 52.2-2017)
2. Final Resistance: 1.0" W.G.
3. Rated Velocity: 500 FPM
4. Classified per UL Standard 900
5. Max Operating Temp: 150 F (66 C)
6. Tolerance: Height & Width - +/- 1/8"
7. Tolerance: Depth - +/- 1/16"

Notes:

1. All Dimensions are in Inches (Unless Otherwise Noted)
2. Drawing Not to Scale



KOCH FILTER
PURE PERFORMANCE

**Multi-Pleat BOSS
XL11 (2" High Cap)**

REV
LTR

REVISION

BY /
DATE

8401 Air Commerce Drive - Louisville KY 40219
Phone: (502) 634-4796 FAX: (502) 637-2280

Drawn By: Dave Miller
Date: 23 August, 2022

Revision